

HIT-17



PERIPHERAL OPTIONS



9.7" Second Display



MSR



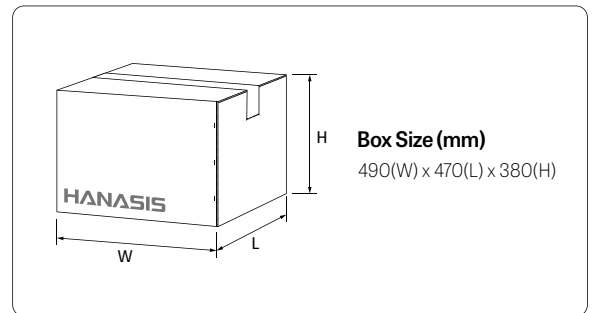
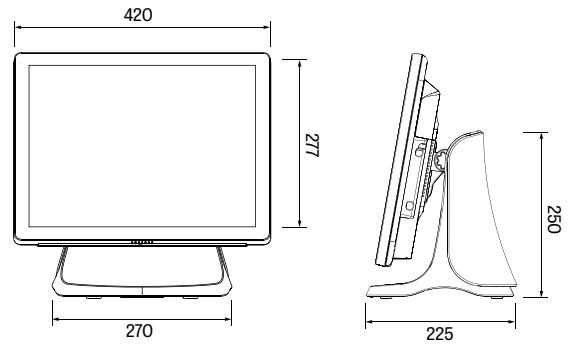
Customer Display (VFD)

SPECIFICATIONS

CPU & Chipset	Intel® Celeron® Processor N5095 (4M Cache, Up to 2.90 GHz) Intel® Core™ i3-1115G4 Processor (6M Cache, Up to 4.10 GHz) Intel® Core™ i5-1135G7 Processor (8M Cache, Up to 4.20 GHz) System on Chip (SoC)
Memory	DDR4L 4GB SoDIMM (Up to 16GB)
Storage	2.5", SATA-III SSD 128GB (Up to 512GB) (Optional RAID; Ask for details)
Display	17", 1280 x 1024, 24bit, Luminance : 350 cd/m ² , Backlight : LED
Touch Panel	17", Projective Capacitive Touch (Bezelleless)
HDMI	1EA (Intel® UHD Graphics)
LAN	1EA (Realtek Gigabit LAN)
Serial	5EA (DSUB-9P x 2EA / RJ-45 x 2EA / RJ-11 x 1EA(MSR))
USB	USB 3.0 x 4EA (I/O), USB 2.0 x 2EA (Rear)
Audio	1EA (Line Out)
Speaker	1EA (1W)
Cooler & FAN	Fanless
Cash Drawer	1EA (RJ-11) (DK Port Default : 24V/GPIO)
Power Adaptor	N5095 : 60[W] Adaptor, Input AC 100-240V/50-60HZ, DC 24V/2.5A (DIN 3-Pin) i3/i5 : 96[W] Adaptor, Input AC 100-240V/50-60HZ, DC 24V/4A (DIN 3-Pin)
Dimension (W x L x H) (mm)	490(W) x 470(L) x 380(H) (BOX)
Weight (kg)	5.6kg

DIMENSION

Unit : mm



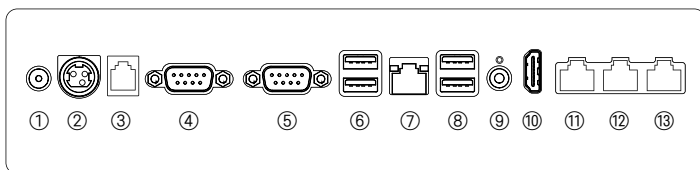
OPTIONS

OS	Windows 10 IoT / Windows 10 Pro / Linux (CentOS 7.X -) (Windows 11 Pro PC Version Only)
Second Display	9.7"/15", TFT-LCD, 1024 x 768, LED Panel (Non-Touch / PCAP Touch)
Customer Display	VFD Type, 20 Characters x 2 Lines (Serial RS-232)
Customer Card Reader	Dual-Track(1&2) / Triple-Track(1&2&3) (USB)
Case Color	All Black / Black & White

ORDER CODES

Product Code	Description
HAN-H15GBBAE4NNV2	N5095, 4GB, 128GB, OS, All Black, V2 Stand
HAN-H15GBBAE8NNV2	N5095, 8GB, 128GB, OS, All Black, V2 Stand
HAN-H11GBBAE4NNV2	i3-1115G4, 4GB, 128GB, OS, All Black, V2 Stand
HAN-H11GBBAE8NNV2	i3-1115G4, 8GB, 128GB, OS, All Black, V2 Stand
HAN-H12GBBAE4NNV2	i5-1135G7, 4GB, 128GB, OS, All Black, V2 Stand
HAN-H12GBBAE8NNV2	i5-1135G7, 8GB, 128GB, OS, All Black, V2 Stand

I/O INTERFACES



Description

- | | |
|-----------------------|-------------------------|
| ① DC-OUT (12V) | ⑧ USB 3.0 |
| ② DC-IN (24V) | ⑨ Audio Jack (Line Out) |
| ③ Cash Drawer (RJ-11) | ⑩ HDMI |
| ④ COM#1 (DSUB-9P) | ⑪ COM#3 (RJ-45) |
| ⑤ COM#2 (DSUB-9P) | ⑫ COM#4 (RJ-45) |
| ⑥ USB 3.0 | ⑬ COM#5 / MSR (RJ-45) |
| ⑦ LAN (RJ-45) | |

COLOR



※ Product's Design and Specifications Can be Changed Without Any Notification.

HANASIS

HANASIS Co., Ltd. | <http://www.hanasis.com>
17, Saneop-ro 155beon-gil, Gwonseon-gu, Suwon-si,
Gyeonggi-do, 16648, South KOREA

Tel. +82 70 4732 5264
Fax. +82 31 297 4381
Email. gsales@hanasis.com



HANASIS recommend Microsoft® Windows 10